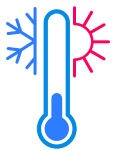
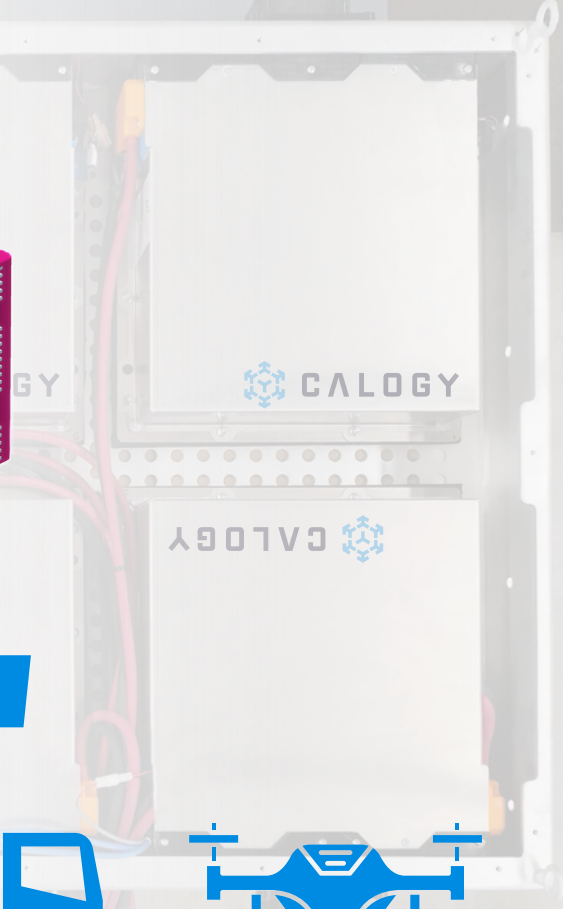
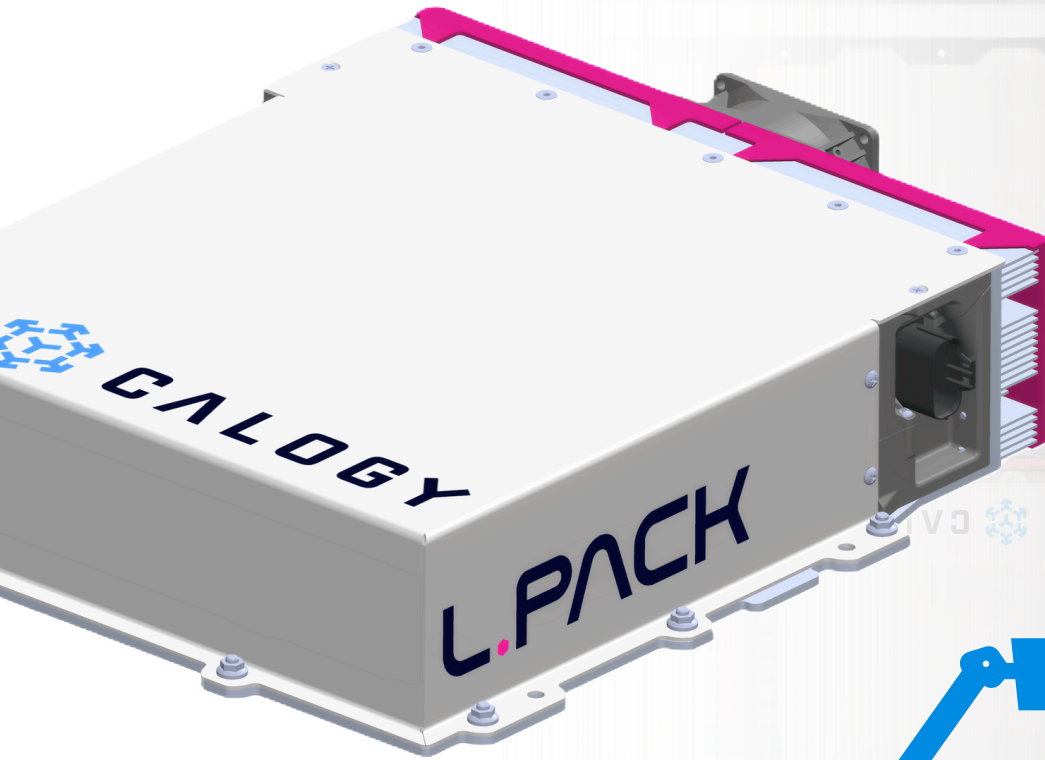




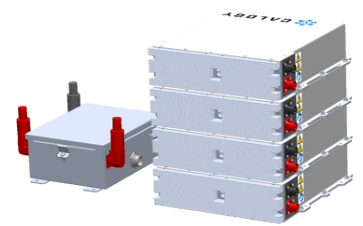
CALOGY

L.PACK 2-32 kWh BATTERY SYSTEM



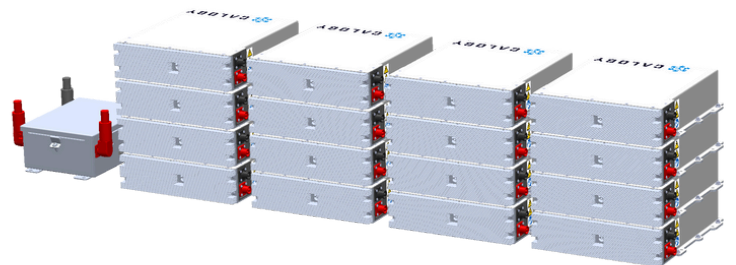
Integrated & Autonomous Thermal Management

Equipped with Uni.T thermal management system which allows for efficient cells cooling and heating



Turnkey Solution

Plug and play architecture across configurations



Safety & Quality

Dedicated to the highest standards of safety and quality



CALOGY

L.PACK BATTERY SYSTEM

SPECIFICATIONS

General

Module Energy	2 kWh (42Ah)
Module Voltage (Min/Nom/Max)	39V/48V/54V
System Energy	2 - 32 kWh
System Voltage (Nominal)	48 V - 384 V
Cell Chemistry	NMC
Module Weight	13.2 kg
Communications	CAN with user-selectable baudrate

Electrical

BMS	Modular with external master control box
Continuous Current*	110 - 175 A
Peak Current (10 sec)*	300 - 425 A
Maximum charge current (C-Rate)*	up to 1 C
Cycle Life (1C Charge/Discharge @ 20°C)	1500 @ 70% DoD

*Depending on system configuration. Subject to change at any time with continued development.

Operational

Heating	Integrated & Autonomous
Cooling	Integrated & Autonomous
Operating Ambient Temp.	-20°C to 40°C
Storage Ambient Temp	-30°C to 60°C



Designed & assembled in Canada

INTELLIGENT CONTROL BOX

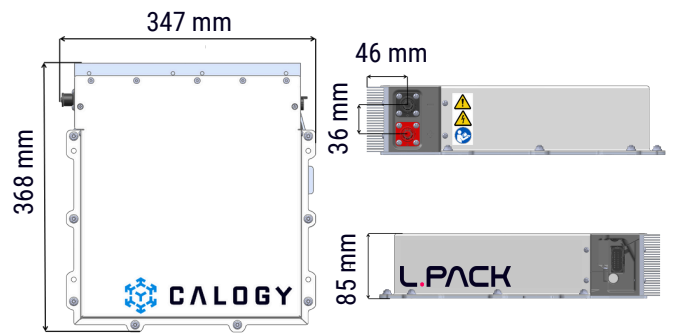
- Over/Under Temperature protection
- Over/Under Voltage protection
- Charge/Discharge current protection
- Short circuit safety
- Integrated isolation detection (Optional)
- Integrated Pre-Charge Sequence
- Integrated Power Contactors

CERTIFICATIONS & STANDARDS

UL1642 (Cell) | UN38.3 | SAE J1939 (2025)

DIMENSIONS

Battery module



Intelligent control box

